

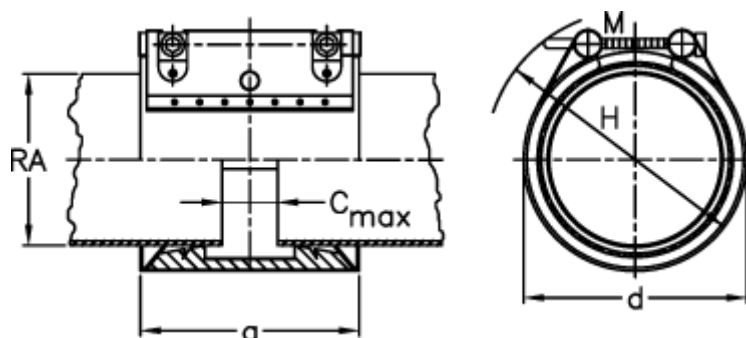
Data Sheet



Article number: 025789100076

Description: Norma Connect pipe coupling
GRIP W2 Ø=76,1 EPDM, 16 bar

Measures



a	= 98
C max with insertion band	= 25
d	= 100
H	= 120
M (screw)	= M10
Nominal pressure (bar)	= 16
RA	= 76.099999999999994
RA min-RA max	= 74,0-76,9

Weight a piece = 1.4